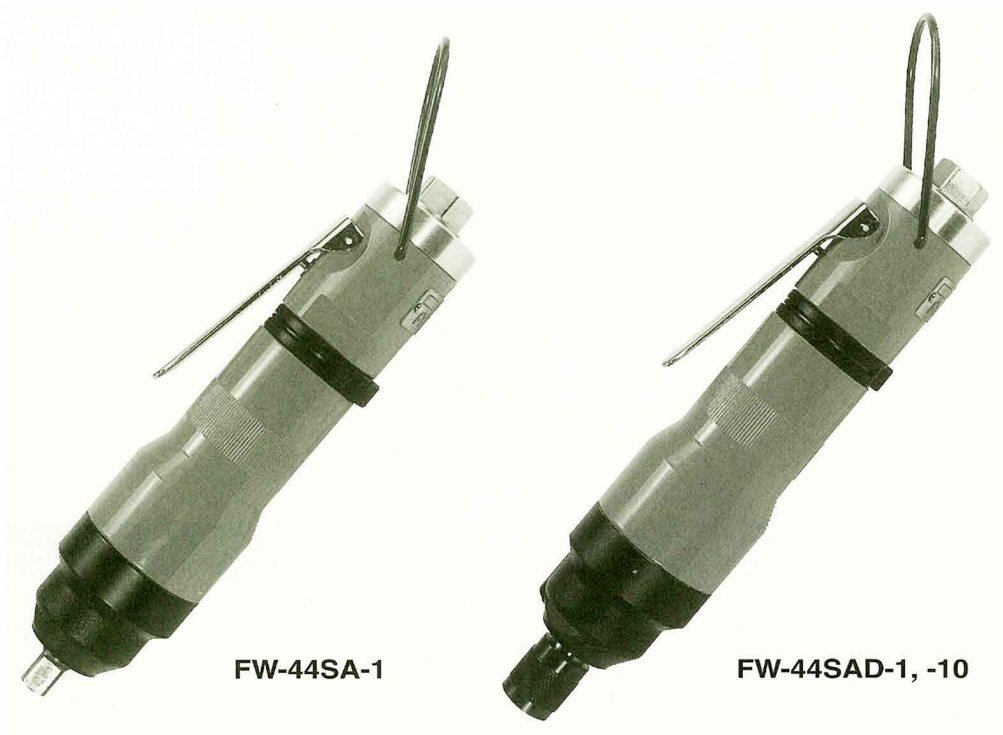


Fuji USER MANUAL

— IMPACT WRENCHES & DRIVERS — (Oil Bath Type) MODELS : FW-44SA-1, FW-44SAD-1, -10




FW-44SA-1

FW-44SAD-1, -10

SPECIFICATIONS

Model	Capacity (Guidance)		Free Speed	Side to Center		Square Drive Size		Bit Shank Size		Overall Length		Mass		Air Consumption (Under Load)		Air Inlet Thread Size		Air Hose Size	
	mm	in		mm	in	mm	in	mm	in	mm	in	kg	lb	Nm ² /min	Nft ² /min	in	mm	in	
FW-44SA-1	5	3/16	5,700	18.0	45/64	9.5	3/8	—	—	207	8 5/32	0.66	1.4	0.47	16.6	PTorNPT 1/4	6.3	1/4	
FW-44SAD-1	5	3/16	5,700	18.0	45/64	—	—	6.35	1/4	207	8 5/32	0.66	1.4	0.47	16.6	PTorNPT 1/4	6.3	1/4	
FW-44SAD-10	5	3/16	5,700	18.0	45/64	—	—	6.35	1/4	207	8 5/32	0.66	1.4	0.47	16.6	PTorNPT 1/4	6.3	1/4	

The performance figures are at 0.63MPa (6.3bar).

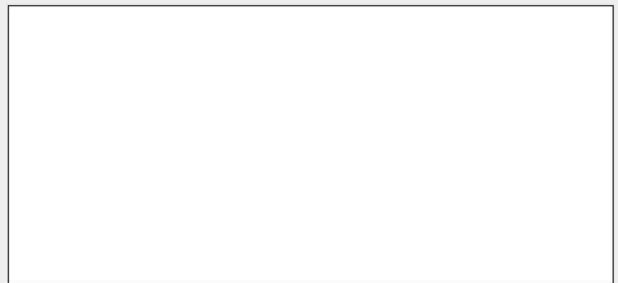
 Refer to "The Instructions and Warning for Safety Use" enclosed in each tool box.

Fuji Industrial Technique Co.,Ltd.

2-1-14, Kamiji, Higashinari-ku, Osaka, 537-0003 Japan

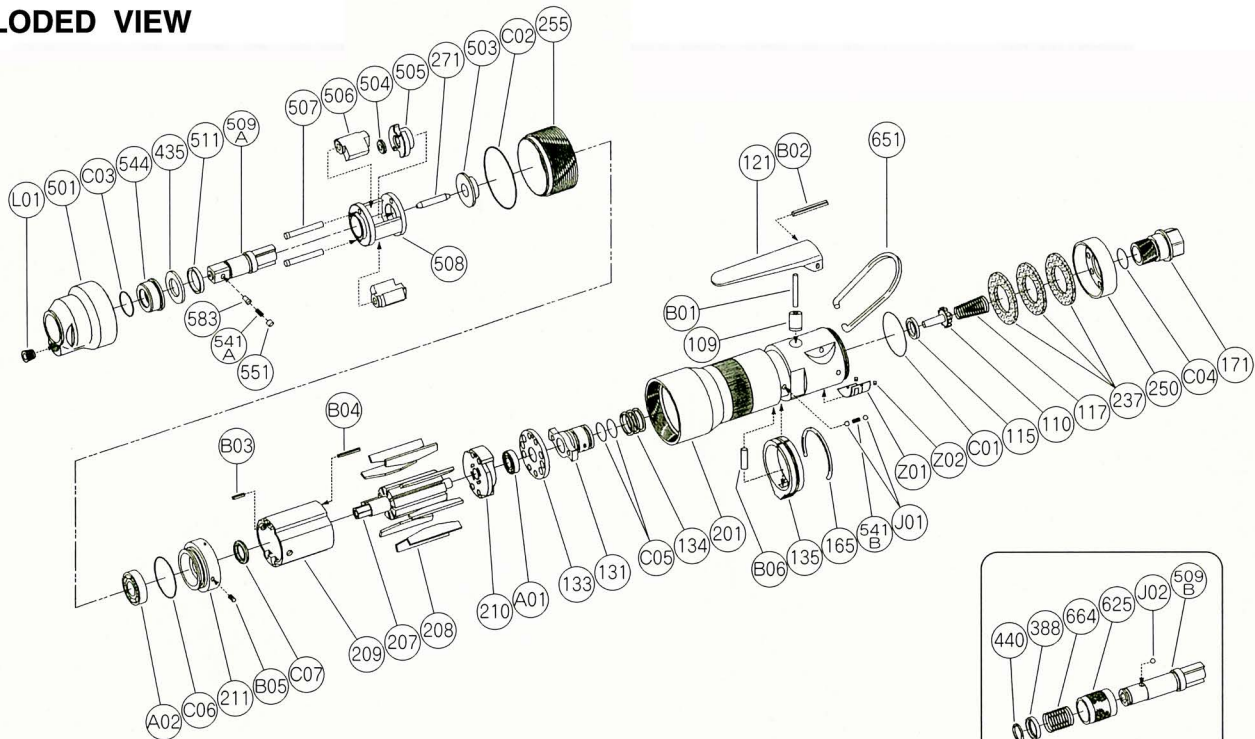
Tel : 81-6-6972-2335

Fax : 81-6-6972-2380



MODELS : FW-44SA-1, FW-44SAD-1,-10

EXPLODED VIEW



FW-44SA-1

FW-44SAD-1, -10
"D" ANVIL

PARTS LIST

Index No.	Parts No.	Parts Name	Qt.	Index No.	Parts No.	Parts Name	Qt.	Index No.	Parts No.	Parts Name	Qt.
FW-44SA-1				FW-44SA-1				FW-44SAD-1, -10			
CP No.	W-318006-00	Housing C. P		131	W-299131-00	Reverse Valve	1	509A	W-306509-03	Anvil 	1
109	W-299109-00	Throttle Valve Bushing	1	133	W-299133-00	Reverse Valve Sheet	1	541A	W-252541-00	Button Retainer Spring <F>	1
110	W-299110-00	Throttle Valve	1	134	W-299134-00	Reverse Valve Spring	1	551	W-252551-00	Plug	1
115	W-299115-00	Throttle Valve Sheet	1	135	W-216135-00	Reverse Valve Lever	1	583	W-252583-00	Retainer Button <F>	1
117	D-001117-00	Throttle Valve Spring	1	165	W-216165-00	Stop Ring	1	511	W-215511-00	Clutch Frame Bushing	1
121	M-073121-00	Throttle Valve Lever	1	207	W-324207-00	Rotor	1	541B	W-252541-00	Button Retainer Spring <F>	1
171	W-299171-00	Inlet Joint <PT>	1	208	W-289208-00	Rotor Blade	9	651	W-100651-00	Hanger	1
171	W-299171-01	Inlet Joint <NPT>	1	209	W-297209-00	Cylinder	1	A01	BB-EE2	Ball Bearing	1
201	W-318201-00	Housing	1	(B03)	SP-28	Spring Pin	1	A02	BB-6900	Ball Bearing	1
237	W-299237-00	Muffler Pad	3	(B04)	SP-216	Spring Pin	1	B06	NR-413.5	Needle Roller	1
250	W-299250-00	Exhaust Cover	1	210	W-299210-00	Cylinder Upper Plate	1	C04	O-S12.5	"O" Ring	1
B01	NR-321FR	Needle Roller	1	211	W-327211-00	Cylinder Lower Plate	1	C05	O-S12.5	"O" Ring	2
B02	SP-325	Spring Pin	1	(B05)	SP-2.55	Spring Pin	1	C06	O-S24	"O" Ring	1
C01	O-S28F	"O" Ring	1	255	W-314255-00	Motor Fastening Nut	1	C07	O-4111	Quad Ring	1
CP No.	W-324013-00	Clutch Housing C. P		271	W-191271-00	Rotor Pin	1	J01	B-3	Ball	2
C02	O-S39	"O" Ring	1	435	W-306435-00	Thrust Washer	1	Z01	NP-1134	Name Plate	1
C03	O-P12	"O" Ring	1	503	W-324503-00	Spacer 	1	Z02	NPN-0X3.2	Screw Rivet	2
L01	PL-1/16	Plug	1	504	W-306504-00	Spacer <C>	1	FW-44SAD-1, -10			
CP No.	W-324013-50	Clutch Housing Semi C. P		505	W-306505-00	Cam	1	388	W-305388-00	Spring Holder	1
501	W-324501-00	Clutch Housing	1	506	W-215506-01	Hammer Clutch	2	440	W-305440-00	Ring	1
544	W-215544-01	Clutch Housing Bushing 1	1	507	W-067507-00	Clutch Pin	2	509B	W-306509-00	Anvil <D><For FW-44SAD-1>	1
				508	W-215508-01	Clutch Frame	1	509B	W-306509-01	Anvil <D><For FW-44SAD-10>	1
								625	W-305625-00	Bit Cover	1
								664	W-305664-00	Finder Spring	1
								J02	B-3	Ball	1

- CP No. denotes the assembled parts comprising of more than 1 pc. of parts.
The related parts are shown in the thick frame.
- #209, 211 and 509A are supplied together with parts shown in ().
- Specify parts number and quantity in ordering.