

Fuji USER MANUAL

— IMPACT WRENCHES & SCREW DRIVERS — (IMPACT CLUTCH TYPE)

MODELS : FW-5PX-6 & FW-5PXD-6, -60



FW-5PX-6



FW-5PXD-6, -60

SPECIFICATIONS

Model	Capacity Bolt or Screw size (Guidance)		Rotational Frequency	Distance from Center to Side		Square Drive Size		Bit Shank Size		Overall Length (without socket)		Mass (without socket)		Air Consumption (At Load)		Air Hose Size	
	mm	in		mm	in	mm	in	mm	in	mm	in	kg	lb	m ³ /min	ft ³ /min	mm	in
FW-5PX-6	5	3/16	12,000	17.0	43/64	9.5	3/8	—	—	150	5 29/32	0.80	1.8	0.20	7.1	6.3	1/4
FW-5PXD-6, -60	5	3/16	12,000	17.0	43/64	—	—	6.35	1/4	160	6 19/64	0.80	1.8	0.20	7.1	6.3	1/4

* Air Inlet Thread Size : PT or NPT 1/4".

The performance figures are at 0.63 MPa (6.3 bar).



Refer to "The Instructions and Warning for Safety Use" enclosed in each tool box.

Fuji Industrial Technique Co., Ltd.

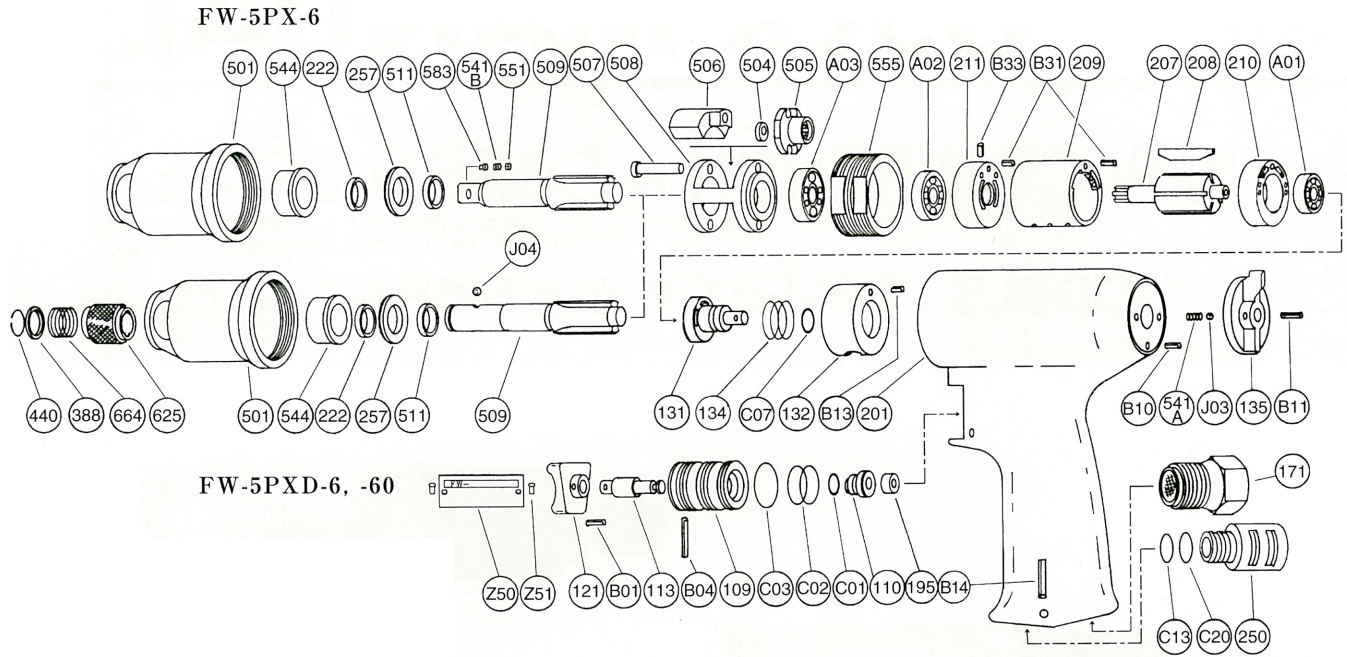
2-1-14, Kamiji, Higashinari-ku, Osaka, 537-0003 Japan

Tel : 81-6-6972-2335

Fax : 81-6-6972-2380

MODELS : FW-5PX-6 & FW-5PXD-6,-60

EXPLODED VIEW



PARTS LIST

Index No.	Parts No.	Parts Name	Qt.
FW-5PX-6 FW-5PXD-6, -60			
Ass'y No.	W-215006-02	Housing Ass'y	
109	W-215109-01	Throttle Valve Bushing	1
110	W-215110-00	Throttle Valve	1
113	W-215113-00	Throttle Valve Rod	1
121	W-215121-00	Trigger	1
131	W-215131-01	Reverse Valve	1
132	W-215132-01	Reverse Valve Bushing	1
134	W-215134-00	Reverse Valve Spring	1
135	W-215135-01	Reverse Valve Lever	1
171	W-025171-00	Inlet Joint (PT) or	1
	W-025171-01	Inlet Joint (NPT)	1
195	W-017195-00	Sub Throttle Valve	1
201	W-215201-02	Housing	1
541A	W-025541-00	Button Retainer Spring	2
B01	SP-26	Spring Pin	1
B04	SP-2.522	Spring Pin	1
B10	SP-36	Spring Pin	1
B11	SP-210	Spring Pin	1
B13	SP-25	Spring Pin	1
C01	O-P5	"O" Ring	1
C02	O-S12.5	"O" Ring	2
C03	O-S14	"O" Ring	1
C07	O-P6	"O" Ring	1
J03	B-3	Ball	2
Ass'y No.	W-215013-01	Clutch Housing Ass'y	
222	W-306222-00	Felt Ring	1
501	W-215501-00	Clutch Housing	1
544	W-215544-01	Clutch Housing Bushing	1
207	W-216207-00	Rotor	1
208	W-067208-00	Rotor Blade	5
209	W-067209-00	Cylinder	1
(B31)	SP-1.66	Spring Pin	2
210	W-215210-00	Cylinder Upper Plate	1

Index No.	Parts No.	Parts Name	Qt.
211	W-216211-00	Cylinder Lower Plate	1
(B33)	SP-1.64	Spring Pin	1
250	W-215250-00	Exhaust Cover	1
257	D-026257-00	Washer	1
504	W-215504-00	Spacer (C)	1
505	W-215505-01	Cam	1
506	W-215506-01	Hammer Clutch	2
507	W-067507-00	Clutch Pin	2
508	W-215508-01	Clutch Frame	1
509	W-221509-04	Anvil (B)	1
(541B)	W-252541-00	Button Retainer Spring (F)	1
(551)	W-252551-00	Plug	1
(583)	W-252583-00	Retainer Button (F)	1
511	W-215511-00	Clutch Frame Bushing	1
555	W-215555-01	Clutch Housing Joint	1
A01	BB-696	Ball Bearing	1
A02	BB-607	Ball Bearing	1
A03	BB-6901	Ball Bearing	1
B14	SP-322	Spring Pin	1
C13	O-S10	"O" Ring	1
C20	O-S12	"O" Ring	1
Z50	NP-1054	Name Plate	1
Z51	NPN-0X3.2	Screw Rivet	2
Following parts are necessary for FW-5PXD-6, -60 eliminating (509) (Z50) of FW-5PX-6.			
FW-5PXD-6, -60			
388	W-305388-00	Spring Holder	1
440	W-305440-00	Ring	1
509	W-215509-02	Anvil (D) (for FW-5PXD-6)	1
509	W-215509-03	Anvil (D) (for FW-5PXD-60)	1
625	W-305625-00	Bit Cover	1
664	W-305664-00	Finder Spring	1
J04	B-3	Ball	1
Z50	NP-1051	Name Plate	1

- Ass'y No. denotes the assembled parts comprising of more than 1 pc. of parts. The related parts are shown in the thick frame.
- #209, 211 and 509 are supplied together with parts shown in ().

□ Specify parts number and quantity in ordering.

■ Standard Accessories :

FW-5PXD-6.....PB-2-3(75mm) Driver Bits 1.